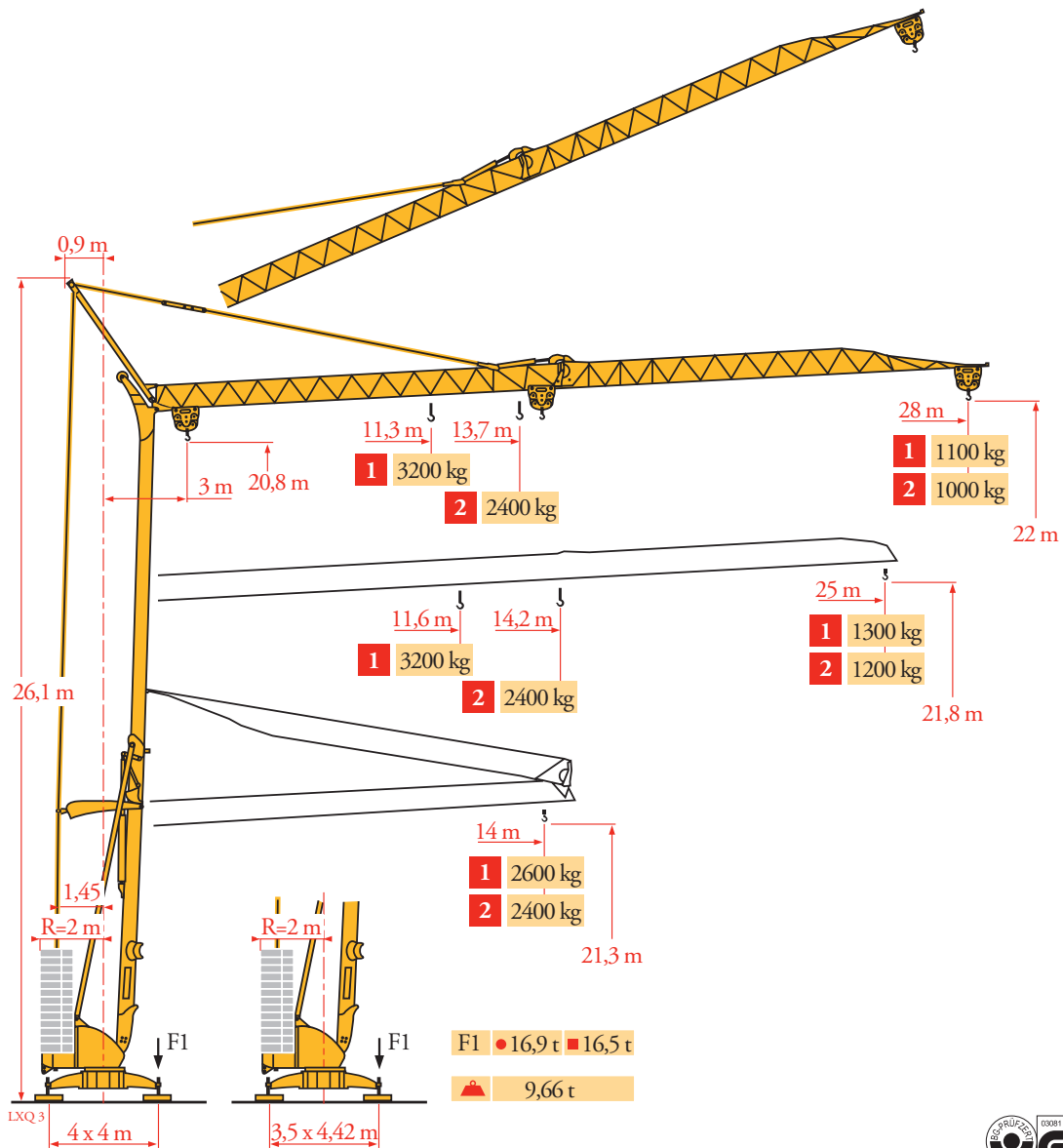


# Potain Igo 28A



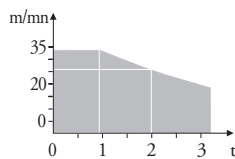


Mécanismes  
Antriebe  
Mechanisms  
Mecanismos  
Meccanismi  
Mecanismos  
Механизмы

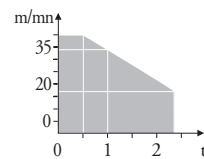
LXQ4

		🗑️					🗑️					ch - PS hp	kW	
⬆️	<b>15 LVF 10 Optima</b>	m/min	3,6	18	37	49	66						15	11
		kg	1600	1600	1600	1100	500							
		m/min	3,6	18	37	54	66	1,8	9	19	27	33		
		kg	1600	1600	1600	1000	500	3200	3200	3200	2000	1000		
⬅️	<b>3 DVF5</b>	m/min	19 - 41									3	2,2	
🔄	<b>RVF+31</b>	tr/min U/min rpm	0 0,8									2	1,5	
⬆️	<b>10 LVF 12 Optima</b>	m/min	2	10	17	34	40						10	7,5
		kg	2400	2400	2400	1000	500							
⬅️	<b>2 DVF5</b>	m/min	15 - 38 (0 → 1000 kg)					15 - 30 (1000 → 2400 kg)					2	1,5
🔄	<b>RVF2-30</b>	tr/min U/min rpm	0 → 0,8									2	1,5	
		<b>CEI 38</b> ⚡ <b>IEC 38</b>										<b>kVA</b>		
		400 V (+6% -10%) 50 Hz									15 LVF 10 : 20 kVA 10 LVF 12 : 14 kVA			

**15 LVF 10 Optima**

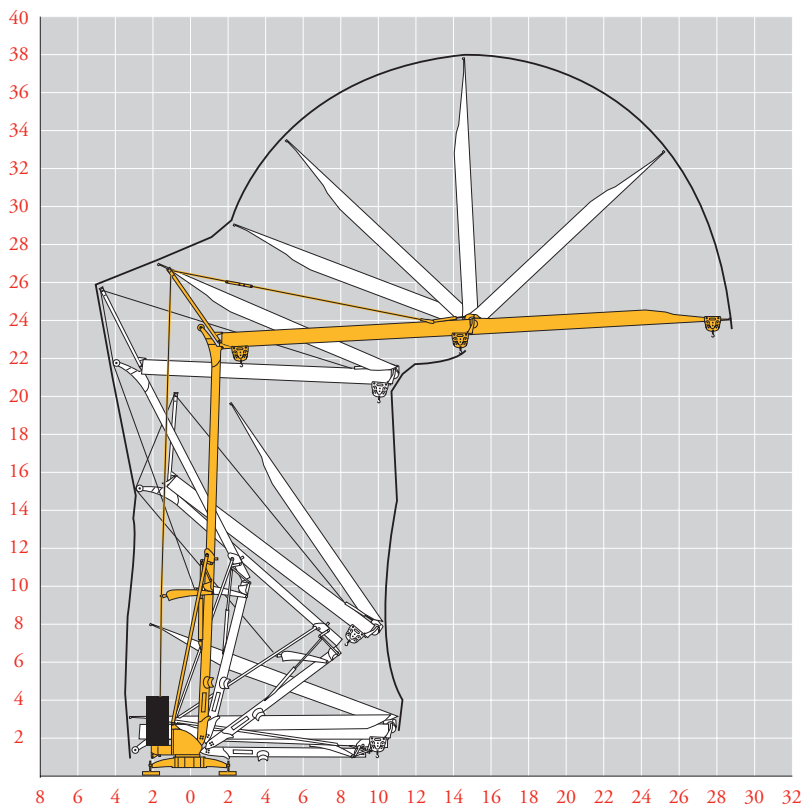


**10 LVF 12 Optima**



Montage  
Montage  
Erection  
Montaje  
Montaggio  
Montagem  
Монтаж

LXQ3



**FR**

Levage  
Distribution  
Orientation

**DE**

Heben  
Katzfahren  
Schwenken

**EN**

Hoisting  
Trolleying  
Slewing

**ES**

Elevación  
Distribución  
Orientación

**IT**

Sollevamento  
Distribuzione  
Rotazione

**PT**

Elevação  
Distribuição  
Rotação

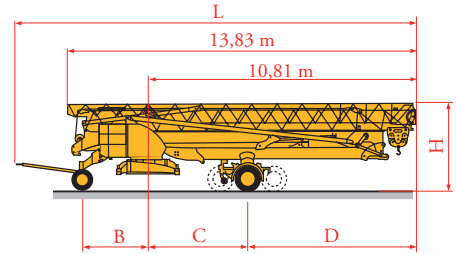
**RU**

Подъем  
Перемещение каретки  
Поворот

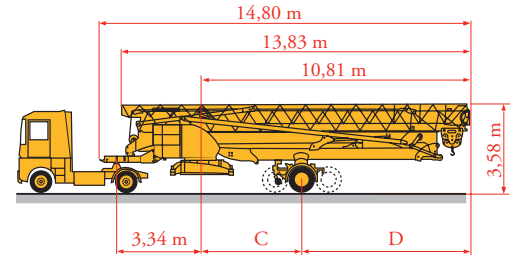
Transport  
Transport  
Transport  
Transporte  
Trasporto  
Transporte  
Транспортировка

LXQ 4

DS61/S120		L (m)	B (m)	C (m)	D (m)	H (m)
DS61/S125	DS61/S120	15,9	2,45	4	6,81	3,05/3,2
DJ80/S120	DJ80/S120	15,9	2,45	4	6,81	3,1
DJ80/S125	DJ80/S125	15,9	2,45	4	6,81	3,1
DJ100/S120	DJ100/S120	16,33	2,45	4	6,81	3,1/3,23
DJ105/S125	DJ105/S125	16,33	2,45	4	6,81	3,1/3,23
DJ126M/S125	DJ126M/S125	16,35	2,45	4	6,81	3,2
DJ126M/S215M	DJ126M/S215M	17,14	3,24	4,07	6,74	3,55



SL122/J215M		C (m)	D (m)
SL121/J135	SL122/J215M	4,07	6,74
SL121/S215M	SL121/J135	4	6,81
	SL121/S215M	4,07	6,74



FR

○ Chantier

DE

Baustelle

EN

Site

ES

Obra

IT

Cantiere

PT

Estaleiro

RU

По строительной площадке



Document commercial non contractuel. Pour toute information technique se référer à la notice correspondante.

Unverbindliches Vertriebsdokument. Für technische Informationen, siehe die entsprechenden Anweisungen.

This commercial document is not legally binding. For any technical information, please refer to the corresponding instructions.

Documento commercial no contractual. Para cualquier información técnica, ver la noticia correspondiente.

Documento commerciale non vincolante, per tutte le informazioni tecniche fare riferimento al catalogo istruzioni.

Documento comercial não contratual. Para qualquer informação técnica complementar consultar as respectivas instruções.

Этот коммерческий документ не является юридически обязательным. Для получения технической информации, см. соответствующие инструкции.

# Manitowoc

**Manitowoc - Americas - World Headquarters**  
2400 S. 44th Street • Manitowoc • WI 54220 USA  
Tel: +1 920 684 4410 • Fax: +1 920 652 9778

**Manitowoc - Europe, Middle East & Africa**  
Manitowoc France SAS  
18, rue de Charbonnières B.P. 173 • 69132 ECULLY Cedex • FRANCE  
Tel: +33 (0)4 72 18 20 20 • Fax: +33 (0)4 72 18 20 00

**Manitowoc - Asia Pacific**  
16F Xu Hui Yuan Building,  
1089 Zhongshan No.2 Road (S) • Shanghai 200030 China  
Tel: +86 21 6457 0066 • Fax: +86 21 6457 4955

REF. 2003 48 LXQ 6

Igo 28A