

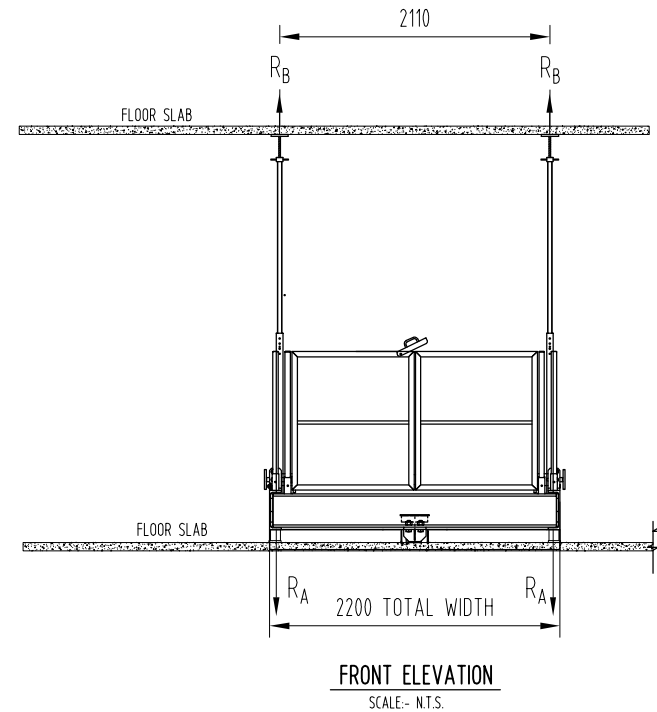
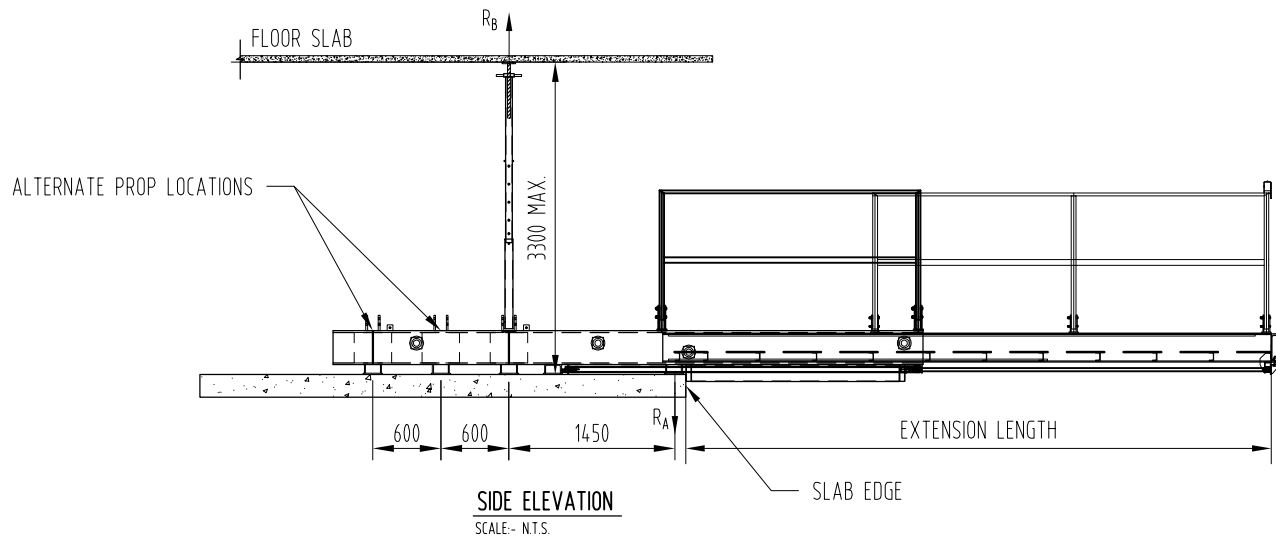
PH: +61 2 4372 1755  
 e: [info@activecranehire.com.au](mailto:info@activecranehire.com.au)  
[www.activecranehire.com.au](http://www.activecranehire.com.au)  
 8 Ainslie Close  
 Somersby, 2250 NSW  
 Australia

***"You're in Good Hands"***

100% Australian Made & Built



Another Quality Product by: **Active Crane Hire**



DECK LOADS		
EXTENSION LENGTH 4500		
	UDL WLL: 2000 Kg (760 Kg PER SQUARE METRE)	UDL WLL: 5000 Kg (570 Kg PER SQUARE METRE)
	LOAD AREA = 1500 x 1750	LOAD AREA = 5000 x 1750
REACTION R <sub>A</sub>	75 kN	130 kN
REACTION R <sub>B</sub>	50 kN	75 kN
EXTENSION LENGTH 5250		
	UDL WLL: 1000 Kg (285 Kg PER SQUARE METRE)	UDL WLL: 2500 Kg (285 Kg PER SQUARE METRE)
	LOAD AREA = 2000 x 1750	LOAD AREA = 5000 x 1750
REACTION R <sub>A</sub>	50 kN	90 kN
REACTION R <sub>B</sub>	35 kN	60 kN

**NOTE:**

1. UDL WLL = UNIFORMLY DISTRIBUTED WORK LOAD LIMIT IS THE TOTAL LOAD RATING DISTRIBUTED EVENLY OVER THE LOAD AREA AS SHOWN IN THE TABLE ABOVE.
2. REACTIONS R<sub>A</sub> & R<sub>B</sub> ARE TO BE APPLIED TO THE STRUCTURE AT EACH SIDE OF THE LOADING PLATFORM.
3. REACTIONS R<sub>A</sub> & R<sub>B</sub> ARE IN ULTIMATE LIMIT STATE.